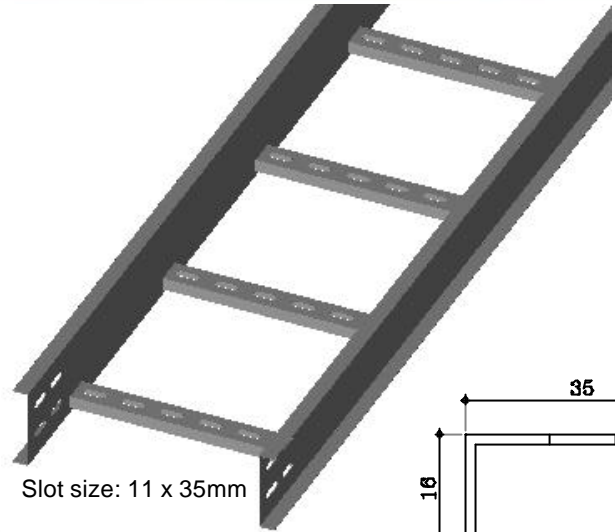


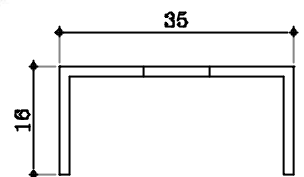


A range of cable support systems developed to suit the demanding conditions encountered in the outdoor environment. DHES is able to provide ladders, trays and channels, as well as a complete range of accessories such as elbows, T-sections and crossovers.

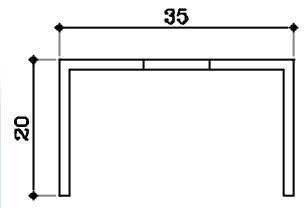
Available in hot-dip galvanized finish as standard, or in stainless steel or aluminium to special order, DHES support systems can solve any cable routing problem for you.



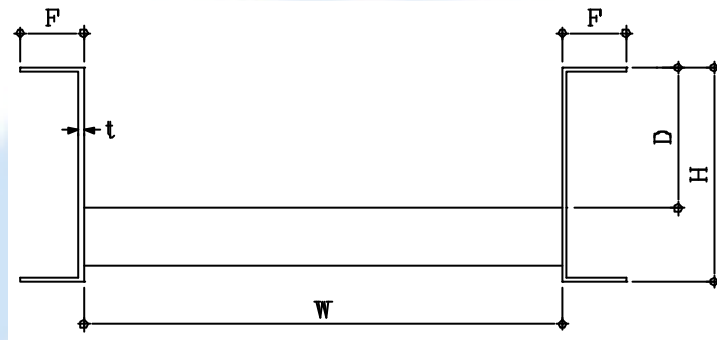
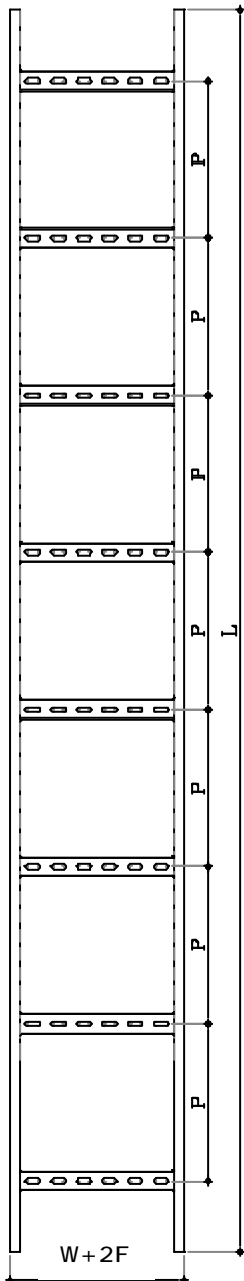
Slot size: 11 x 35mm



For CL75 & CL100



For CL125 & CL150



CL75 $t = 1.5$

Part Nos.	H	D	F	W	P	L
CL75/LSL 150/HDG or *	75	56	14	150	300	3000
CL75/LSL 300/HDG or *	75	56	14	300	300	3000
CL75/LSL 450/HDG or *	75	56	14	450	300	3000
CL75/LSL 600/HDG or *	75	56	14	600	300	3000
CL75/LSL 750/HDG or *	75	56	14	750	300	3000
CL75/LSL 900/HDG or *	75	56	14	900	300	3000

CL125 $t = 2.0$

Part Nos.	H	D	F	W	P	L
CL125/LSL 150/HDG or *	125	100	18	150	300	3000
CL125/LSL 300/HDG or *	125	100	18	300	300	3000
CL125/LSL 450/HDG or *	125	100	18	450	300	3000
CL125/LSL 600/HDG or *	125	100	18	600	300	3000
CL125/LSL 750/HDG or *	125	100	18	750	300	3000
CL125/LSL 900/HDG or *	125	100	18	900	300	3000

CL100 $t = 1.5$

Part Nos.	H	D	F	W	P	L
CL100/LSL 150/HDG or *	100	81	14	150	300	3000
CL100/LSL 300/HDG or *	100	81	14	300	300	3000
CL100/LSL 450/HDG or *	100	81	14	450	300	3000
CL100/LSL 600/HDG or *	100	81	14	600	300	3000
CL100/LSL 750/HDG or *	100	81	14	750	300	3000
CL100/LSL 900/HDG or *	100	81	14	900	300	3000

CL150 $t = 2.0$

Part Nos.	H	D	F	W	P	L
CL150/LSL 150/HDG or *	150	125	18	150	300	3000
CL150/LSL 300/HDG or *	150	125	18	300	300	3000
CL150/LSL 450/HDG or *	150	125	18	450	300	3000
CL150/LSL 600/HDG or *	150	125	18	600	300	3000
CL150/LSL 750/HDG or *	150	125	18	750	300	3000
CL150/LSL 900/HDG or *	150	125	18	900	300	3000

* SS304, 316, 316L or Aluminium

To order, contact : sales@davidhanman.com
Our web presence : www.davidhanman.com