



David Hanman Engineering Services

L303-6.3C series steady burning medium intensity lamp



The L303-6.3C Medium Intensity Obstacle lamp is part of the range we now offer to mark potential hazards to passing Aircraft. Use can be on structures such as Telecommunication towers, Pylons, chimneys, vent & flare stacks, cranes, tall buildings etc. The L303-6.3C meets the requirements of ICAO volume 1 Annex 14 Table 6.3C for "Medium Intensity Type C" lamps.

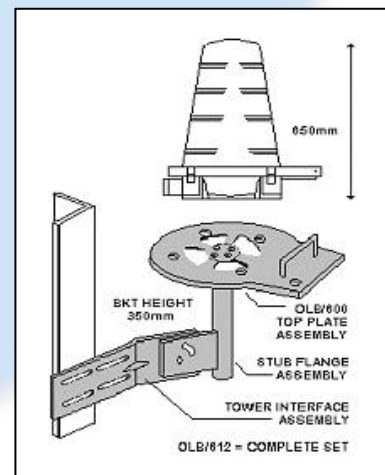
Data is available to show that the lamp meets both the above and the CAA Cap 168 requirement. The use of a high precision lens has allowed the use of a low power Metal Vapour bulb. Beneficial in remote locations, where the power consumption & maintenance interval may be of paramount importance. Also a major feature in today's "Green" environment!

Technical Specifications:

- UV Stable high impact resistant polymer enclosure
- IP 67 rated
- Ambient Temperatures -20° to +55°C
- Quick release hinged lens
- Steady Burning design
- 95 Watt prefocused Metal Vapour Bulb unit
- Optional Bulb fail- warning signal Available Voltages:
 - 24 VDC under development
 - 12 VDC under development
 - 230V AC
 - 115V AC
- Lens diameter 300mm

INSTALLATION 4 Holes on 240 x 240mm pitch see diagram opposite to suit M16 fixings. Optional Mounting Brackets available for tube or angle mounting.

Overall height of lamp 700mm
WEIGHT Approx. 7KGS.



To order, Contact : sales@davidhanman.com
Our web presence : www.davidhanman.com