



# David Hanman Engineering Services

## AOL303 series flashing medium intensity lamp



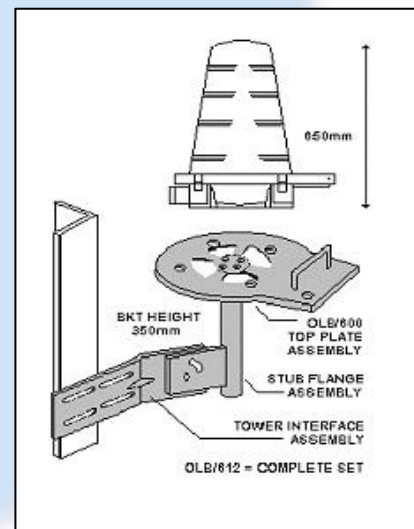
The AOL303 Medium Intensity Obstacle lamp is part of the range we now offer to mark potential hazards to passing Aircraft. Use can be on structures such as Telecommunication towers, Pylons, chimneys, vent & flare stacks, cranes, tall buildings etc. The AOL303 meets the requirements of ICAO volume 1 Annex 14 paragraph 6.3.13 and has been verified to meet an effective Intensity of 1600 Cd red, by a CAA approved Independent test laboratory. The use of a high precision lens has allowed the use of a much lower power bulb than previously possible, beneficial in remote locations, where the power consumption may be of paramount importance. Also a major feature in today's "Green" environment!

### Technical Specifications:

- UV Stable high impact resistant polymer enclosure
- Anti-bird spike on lens apex
- IP 67 rated
- Ambient Temperatures -20° to +50°C
- Quick release hinged lens
- 100 Watt prefocused Halogen lamps in : 6 position auto lamp changer
- Last lamp active- warning signal
- Flash option 20-60 FPM.
- Available Voltages: " 24 VDC +/- 2.5% nominal
- 12 VDC +/- 2.5% nominal
- 230/115v AC input via power convertor module (optional Extra)
- Lens diameter 300mm

INSTALLATION 4 Holes on 240 x 240mm pitch see diagram opposite to suit M16 fixings. Optional Mounting Brackets available for tube or angle mounting.

Overall height of lamp 700mm  
WEIGHT Approx. 7KGS.



To order, Contact : [sales@davidhanman.com](mailto:sales@davidhanman.com)  
Our web presence : [www.davidhanman.com](http://www.davidhanman.com)